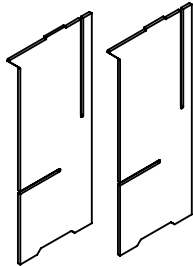


## ASSEMBLY INSTRUCTIONS

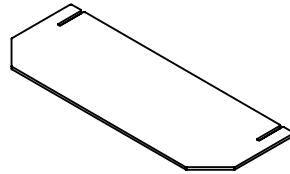
READ ALL INSTRUCTIONS BEFORE YOU BEGIN. DO NOT JUMP AHEAD OF ANY STEP.

### PARTS LIST:

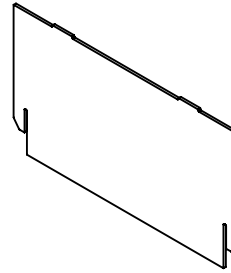
NOTE: Item 18428 & 18430 contain two Shelf Panels.



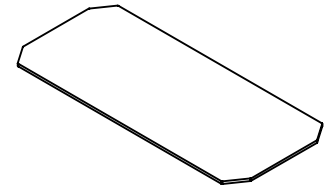
SIDE PANEL  
(2 pcs)



SHELF PANEL  
(1 pc)



BACK PANEL  
(1 pc)

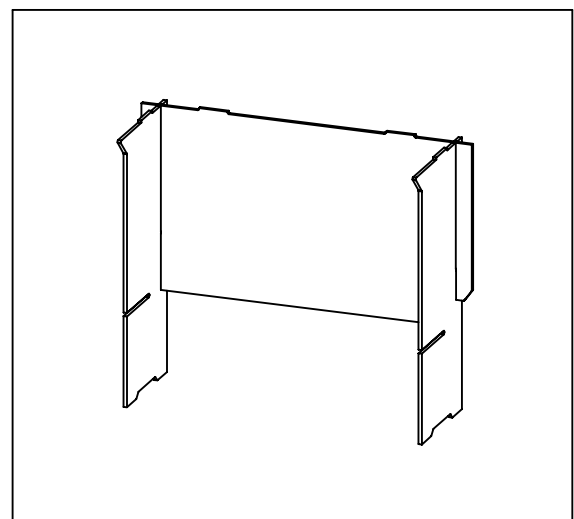
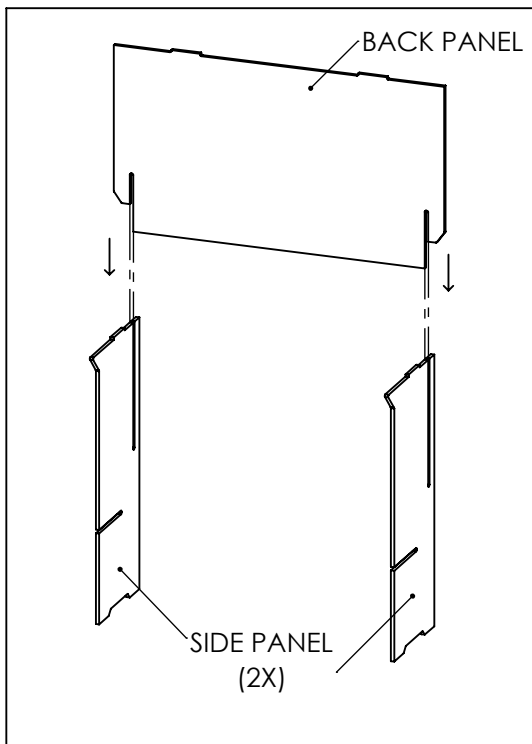


TOP PANEL  
(1 pc)

### \*Recommended: 2 Person Assembly

\*\*RECOMMENDED TOOLS: RUBBER MALLET (Sold Separately)

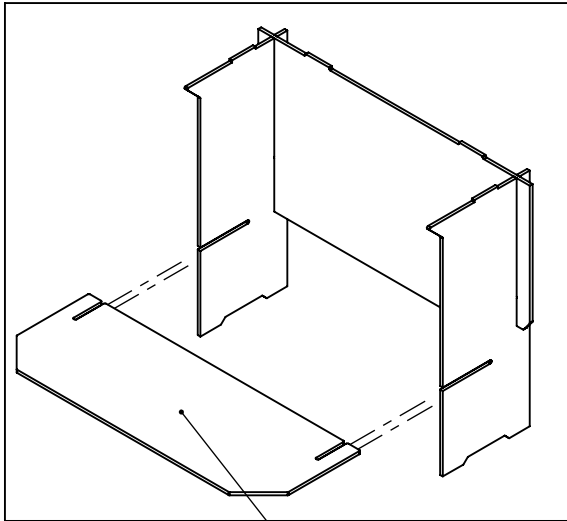
**STEP 1:** On an even flat surface stand both Side Panels upright, as shown below. While holding the Side Panels upright, simultaneously slide the slots of the Back Panel into the corresponding vertical slots of both Side Panels.  
*Note: If needed, using a rubber mallet (sold separately), gently tap the parts into place.*



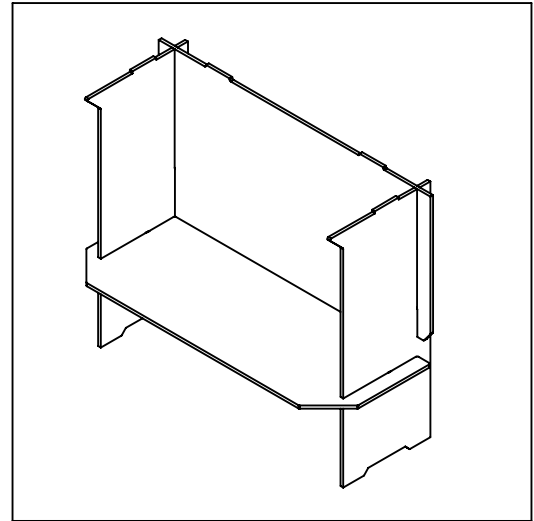
## ASSEMBLY INSTRUCTIONS

READ ALL INSTRUCTIONS BEFORE YOU BEGIN. DO NOT JUMP AHEAD OF ANY STEP.

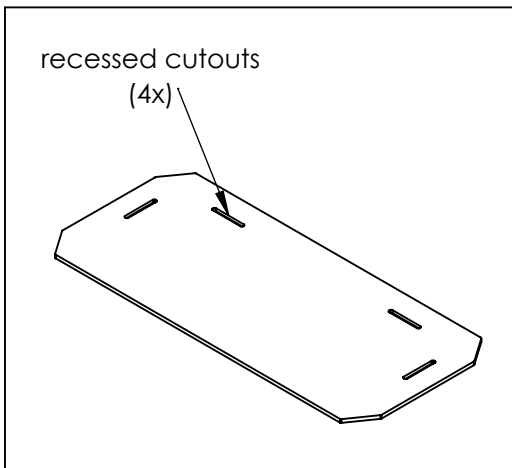
**STEP 2:** Insert the Shelf Panel into the corresponding slot of each Side Panel, as shown below. Install Shelf Panels from bottom to top. *Note: If needed, using a rubber mallet (sold separately), gently tap the parts into place.*



Middle Shelf

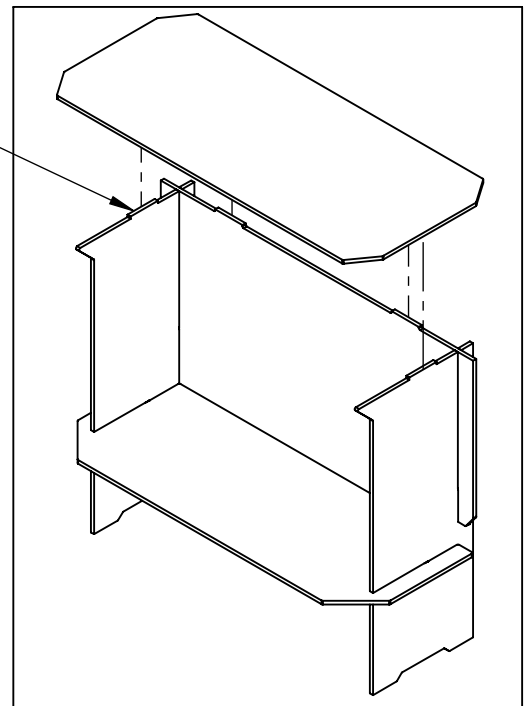


**STEP 3:** Place the Top Panel on the Back Panel and Side Panels. Align all four recessed cutouts in the Top Panel with the corresponding tabs on the Back Panel and Side Panels, as shown below.



TOP PANEL  
(bottom view)

tabs  
(4x)



**ASSEMBLY INSTRUCTIONS**

**READ ALL INSTRUCTIONS BEFORE YOU BEGIN. DO NOT JUMP AHEAD OF ANY STEP.**

# ASSEMBLY COMPLETED

